

GalvinSafe[®] Free Standing Combi Shower, Axion[®] MSR Eye/Face Wash, Hand & Foot Act (HAWS)

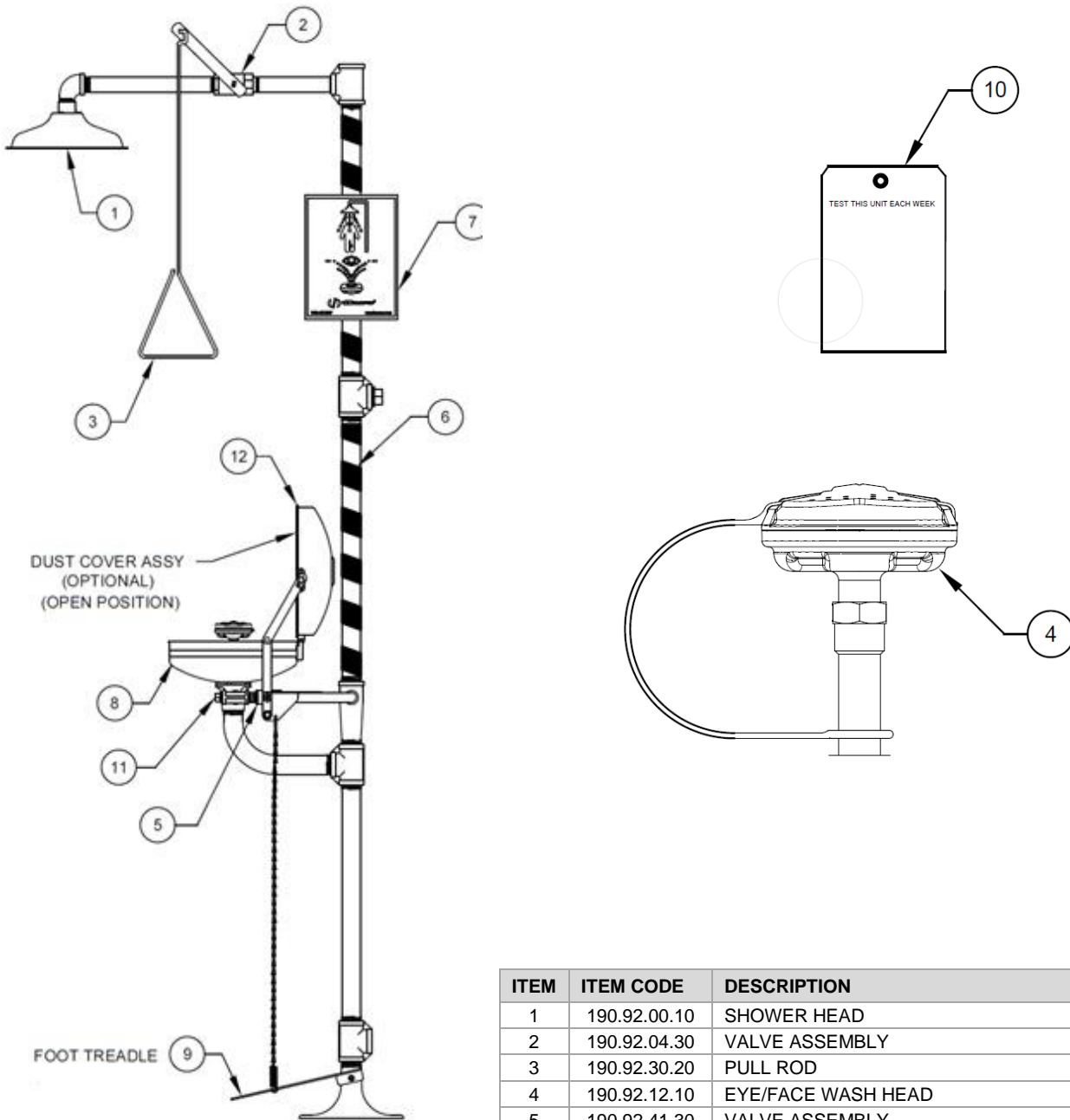
PRODUCT CODE:**Galvin Engineering: 190.80.10.90****HAWS: 8330-A + SP220SS****PRE - INSTALLATION**

LOCATION OF UNIT: The Model 190.80.10.90 (8330-A) Stainless Steel combination Shower Eye/Face Wash should be installed in close proximity to potential accident areas. It should be clearly identified, free from obstructions and easy to access.

SUPPLY LINE: The minimum recommended line size is 1-1/4" BSP with 210 – 600 kPa flowing pressure. Where sediment or mineral content is a problem, an inlet filter is recommended.

PLUMBING CONNECTIONS: Inlet supply is male 1-1/4" BSPT. Waste outlet is male 1-1/4" BSPT.

PARTS BREAKDOWN



ITEM	ITEM CODE	DESCRIPTION
1	190.92.00.10	SHOWER HEAD
2	190.92.04.30	VALVE ASSEMBLY
3	190.92.30.20	PULL ROD
4	190.92.12.10	EYE/FACE WASH HEAD
5	190.92.41.30	VALVE ASSEMBLY
6	-	STRIPE TAPE*
7	190.95.90.90	EMERGENCY EYE & SHOWER SAFETY SIGN
8	190.92.22.20	BOWL
9	190.91.22.12	FOOT TREADLE
10	190.91.80.33	TEST TAG
11	-	L-STRAINER*
12	-	SS DUST COVER ASSEMBLY* (OPTIONAL)

* spare parts will require special order or may not be available (contact Galvin engineering for more details).

INSTALLATION PROCEDURE

Refer to Installation Drawing for clarification. Check parts list to ensure all required parts are included. Use an AS 4020 approved pipe joint sealant on all connections.

STEP 1: Prepare the emergency shower foundation by using the floor flange as a template. Locate the three holes for the 3/8-16 UNC x 6" anchor bolts. (Not supplied). They should extend 1" above the floor level.

STEP 2: Once the concrete foundation is ready (dry), assemble the floor flange to the anchor bolts; then securely fasten with 3/8-16 UNC Hex nuts and 3/8" washers (Not supplied). Seal and tighten floor flange and (1-1/4") tee making certain the waste tee is facing the proper location and the foot control holes are facing side to side.

STEP 3: Assemble nipple (1-1/4" x 24") to the tee and tighten with a pipe wrench.

STEP 4: Assemble the eye/face wash loop assembly to the (24") nipple from Step three. Connect the pipe wrench to the nipple between the two tees to avoid damage.

STEP 5: Assemble in the following order:
Attach nipple (1-1/4" x 24") onto the loop assembly.
Attach nipple (1-1/4" x 24") onto the tee.
Attach tee (1-1/4" x 1-1/4" x 1") onto nipple.
Attach nipple (1" x 8") and valve assembly onto tee.
Attach street elbow (1") and nipple (1" x 12-1/2") onto valve.

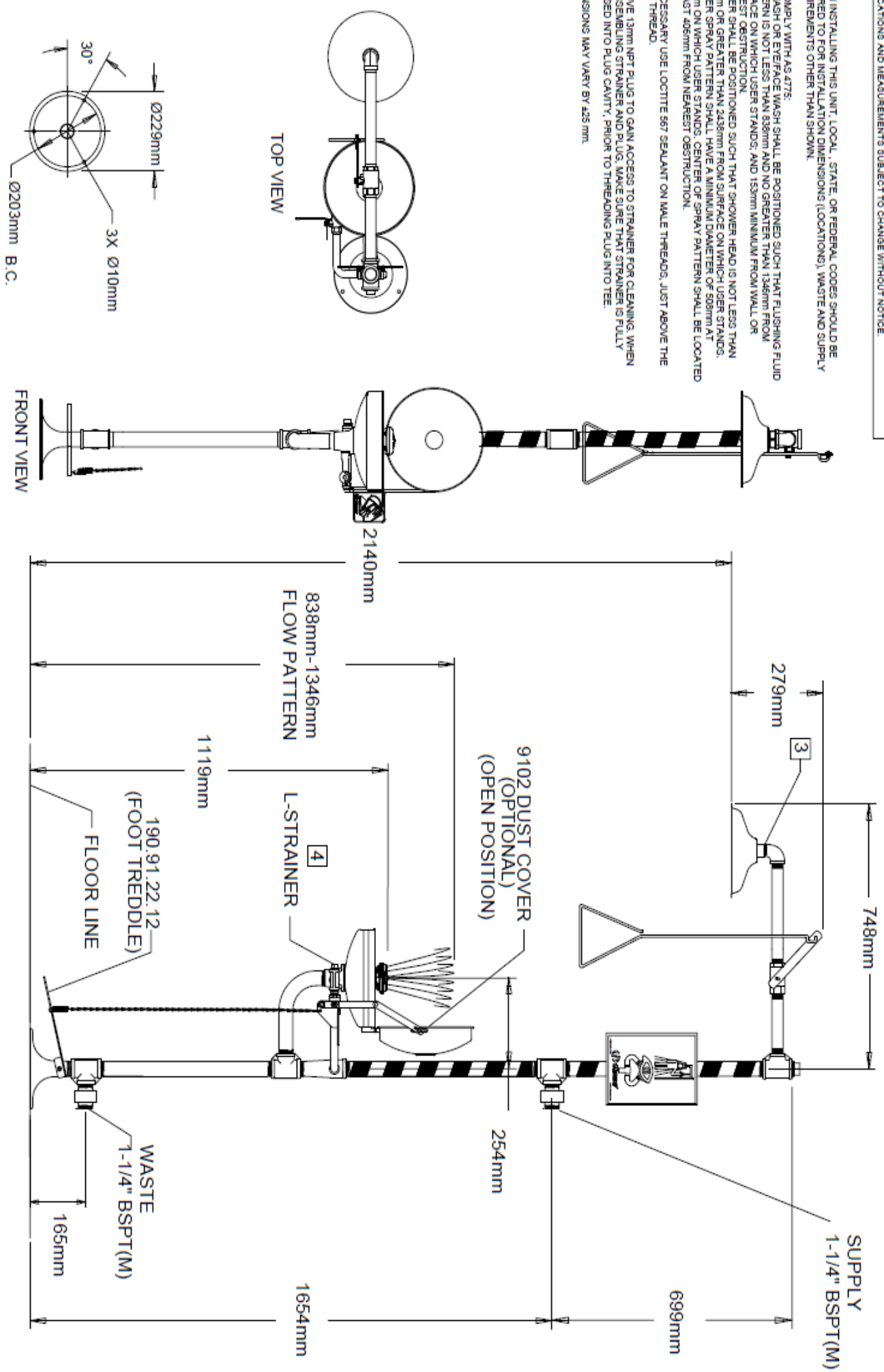
STEP 6: Assemble showerhead onto street elbow (1").

STEP 7: Assemble the sign onto the unit. Use the strap, screws, washers and nuts provided to mount the sign onto the upright. The sign should be positioned for maximum visibility.

STEP 8: Insert the plug into the optional supply line tee that is not used. Before connecting the supply water line to the emergency shower; **CHECK IF THE ASSEMBLY IS RIGIDLY TIGHTENED AND FLUSH THE LINE THOROUGHLY.**

NOTES:

1. WHEN INSTALLING THIS UNIT, LOCAL, STATE OR FEDERAL CODES SHOULD BE ADHERED TO FOR INSTALLATION DIMENSIONS (LOCATIONS), WASTE AND SUPPLY REQUIREMENTS OTHER THAN SHOWN.
2. TO COMPLY WITH AS 4775:
 - EYE/WASH OR EYE/FACE WASH SHALL BE POSITIONED SUCH THAT FLUSHING FLUID PATTERN IS NOT LESS THAN 838mm AND NO GREATER THAN 1346mm FROM SURFACE ON WHICH USER STANDS; AND 153mm MINIMUM FROM WALL OR NEAREST OBSTRUCTION.
 - SHOWER SHALL BE POSITIONED SUCH THAT SHOWER HEAD IS NOT LESS THAN 203mm OR GREATER THAN 2438mm FROM SURFACE ON WHICH USER STANDS.
 - SHOWER SPRAY PATTERN SHALL HAVE A MINIMUM DIAMETER OF 508mm AT 1524mm ON WHICH USER STANDS. CENTER OF SPRAY PATTERN SHALL BE LOCATED AT LEAST 406mm FROM NEAREST OBSTRUCTION.
3. IF NECESSARY USE LOCTITE 567 SEALANT ON MALE THREADS, JUST ABOVE THE FIRST THREAD.
4. REMOVE 13mm NPT PLUG TO GAIN ACCESS TO STRAINER FOR CLEANING. WHEN REASSEMBLING STRAINER AND PLUG, MAKE SURE THAT STRAINER IS FULLY PRESSED INTO PLUG CAVITY, PRIOR TO THREADING PLUG INTO TEE.
5. DIMENSIONS MAY VARY BY 25 mm.



FLOOR FLANGE MOUNTING DETAIL

DISTRIBUTED BY:



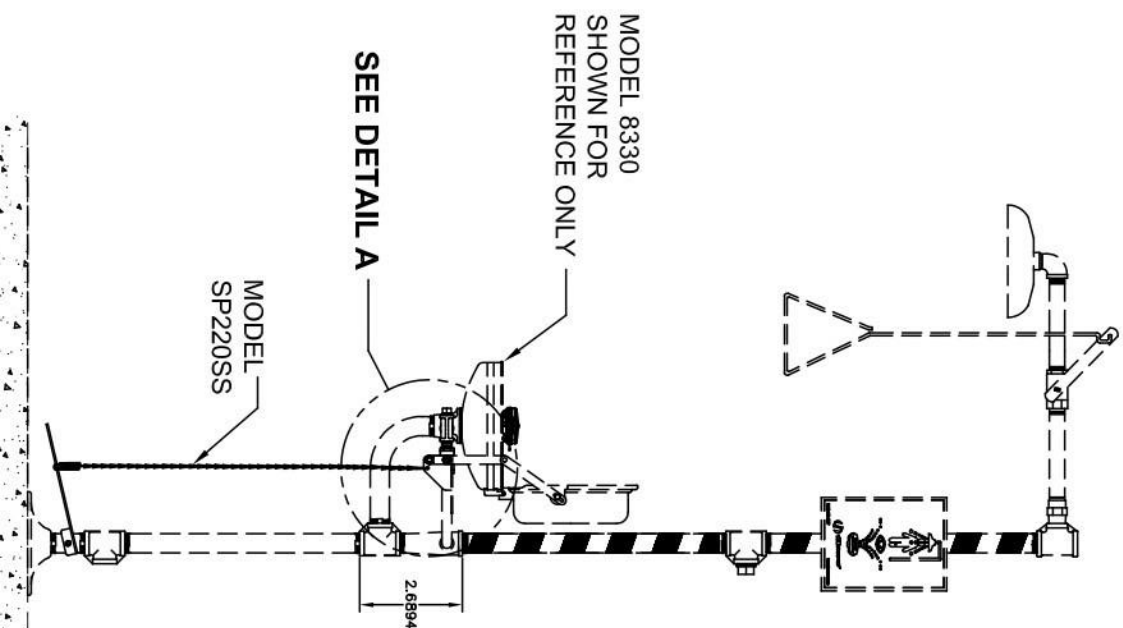
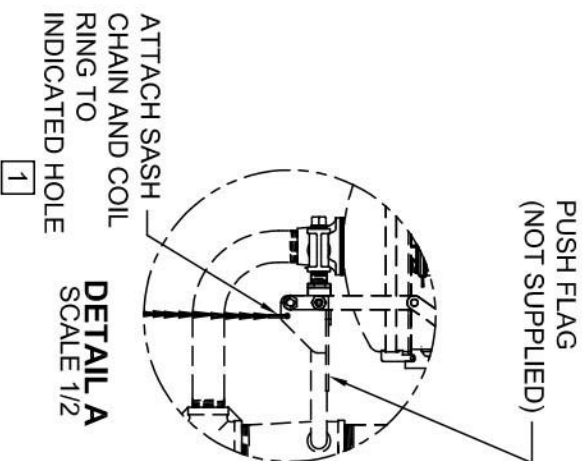
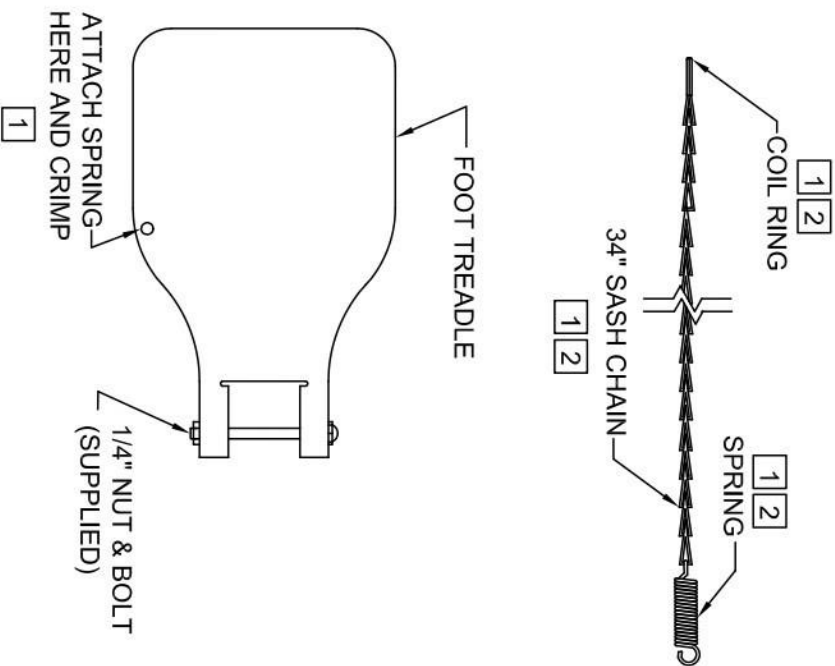
410 VICTORIA RD MALAGA WA
 ABN:78 008 719 382
 +61 8 9338 2344 FAX: +61 8 9338 2340
 EMAIL: sales@galvinengineering.com.au
 WEBSITE: www.galvinengineering.com.au

ECONOMY REVISED FEEDBACK		MODEL(S)		PART NUMBER	
GRABBAR	EQN: 5530	FL	190.80.10.90	0002080174.D	REVISION
C. HAYES	DATE: 05/91	DR	GALVINSAFE FREE STANDING COMBI SHOWER, AXION MSR	2/6	2/6
APPROVED:	DATE: 03/27/20	SCALE: 1/16"	EYE/FACE WASH, HAND & FOOT ACT (HAWWS)	DRAWING TYPE: INSTALLATION	SHEET 1 OF 1



NOTES:

- 1 HOOK SPRING THROUGH ROUND OPENING OF TREADLE FROM TOP AND CRIMP SECURING IT TO THE TREADLE. AFTER ASSEMBLING FOOT TREADLE TO EYEWASH PEDESTAL, ATTACH COIL RING TO EXISTING PUSH FLAG THEN TRIM SASH CHAIN TO NECESSARY LENGTH IN ORDER TO PROVIDE NORMAL OPERATION OF EYEWASH.
- 2 CRIMP END OF SPRING TO SASH CHAIN.



DISTRIBUTED BY:
GalvinEngineering
the mark of reliability
 410 VICTORIA RD MALAGA WA
 AEN:78 008 719 982
 +61 8 9398 2344 FAX: +61 8 93982340
 EMAIL: sales@galvinengineering.com.au
 WEBSITE: www.galvinengineering.com.au

EQN NO:	REVISED PER:	MODEL(S)	190.91.22.12	PART NUMBER	0002090393
DRAWN:	ECN:4580	GalvinSafe Foot Treadle to Suit 190.80.10.12 and		DRAWING NO:	REV
DATE:	CHKD:	190.82.11.12 Floor Mtd Units (HAWS)		14568C00	1
APPROVED:	DATE:	SCALE: 1:3	DRAWING TYPE: INSTALLATION	SIZE: A	SHEET: 1 OF 1

TROUBLESHOOTING	
PROBLEM	REPAIR CHECKLIST
1. No Flow.	1. Check the main shut-off valve.
2. Insufficient water flow.	2. Verify minimum 210 kPa flowing supply line pressure.
3. Insufficient water flow on eye/face wash, however, shower is sufficient	<p>3. a. Verify minimum 210 kPa flowing supply line pressure</p> <p>b. Probable clogging of flow control due to inadequate line flushing. Unscrew eye/face wash head and remove the four screws to disassemble head. Clean flow control and reassemble Head.</p> <p>c. Remove plug located on L – Strainer using a 9/16” wrench to access clean filter screen.</p>
4. Eye/face wash streams do not meet desired eye level.	4. Possible blocked flow control, see above solution. Possible non-leveled eye/face wash assembly
5. Water does not drain properly.	5. Check your drain system for debris. Check the main waste line of your building to see if it does handle the capacity required for the entire drainage system
6. Water leak between joints or fittings.	6. Tighten loose connections. If leak persists, the application of hot water will sometimes reseal improperly applied joint compound. After 30 minutes wait and retest. A persistent leak will necessitate reassembly and additional sealant.
7. Insufficient water flow from shower, however, eye/face wash is sufficient.	7. Probable clogging of flow control inside showerhead. Unscrew showerhead off of elbow and clean rubber flow control.

For more information about GalvinSafe® (Haws) products, see our website.

WARRANTY

The warranty set forth herein is given expressly and is the only warranty given by the Galvin Engineering Pty Ltd. With respect to the product, Galvin Engineering Pty Ltd makes no other warranties, express or implied. Galvin Engineering Pty. Ltd. hereby specifically disclaims all other warranties, express or implied, including but not limited to the implied warranties of merchantability and fitness for a particular purpose.

Galvin Engineering Pty Ltd products are covered under our manufacturer's warranty available for download from www.galvinengineering.com.au Galvin Engineering Pty Ltd expressly warrants that the product is free from operational defects in workmanship and materials for the warranty period as shown on the schedule in the manufacturer's warranty. During the warranty period, Galvin Engineering will replace or repair any defective products manufactured by Galvin Engineering without charge, so long as the terms of the Manufacturer's warranty are complied with.

The remedy described in the first paragraph of this warranty shall constitute the sole and exclusive remedy for breach of warranty, and Galvin Engineering Pty Ltd shall not be responsible for any incidental, special or consequential damages, including without limitation, lost profits or the cost of repairing or replacing other property which is damaged if this product does not work properly, other costs resulting from labour charges, delays, vandalism, negligence, fouling caused by foreign material, damage from adverse water conditions, chemical, electrical or any other circumstances over which Galvin Engineering has no control. This warranty shall be invalidated by any abuse, misuse, misapplication, improper installation or improper maintenance or alteration of the product.

Within Australia: **1300 514 074** Outside Australia: P: **+61 (0)8 9338 2344**

F: +61 (0)8 9338 2340

sales@galvinengineering.com.au

www.galvinengineering.com.au

ABN: 78 008 719 382

PERTH | SYDNEY | MELBOURNE | BRISBANE | ADELAIDE

